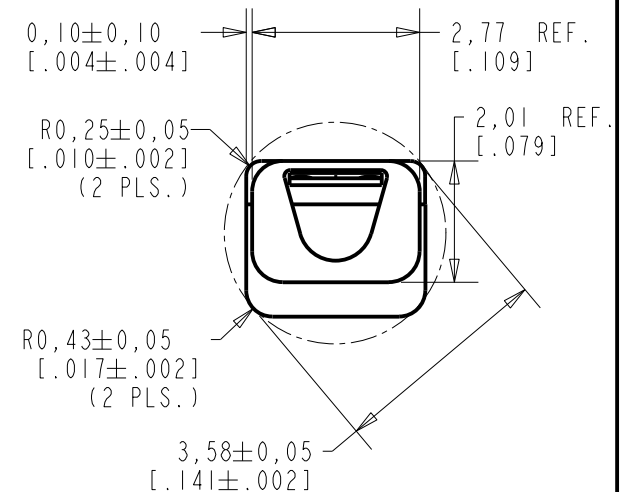
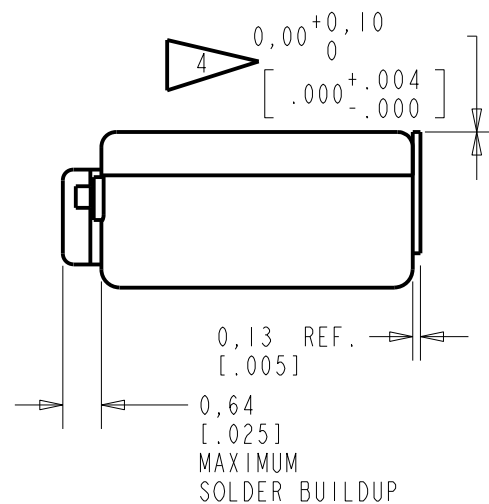
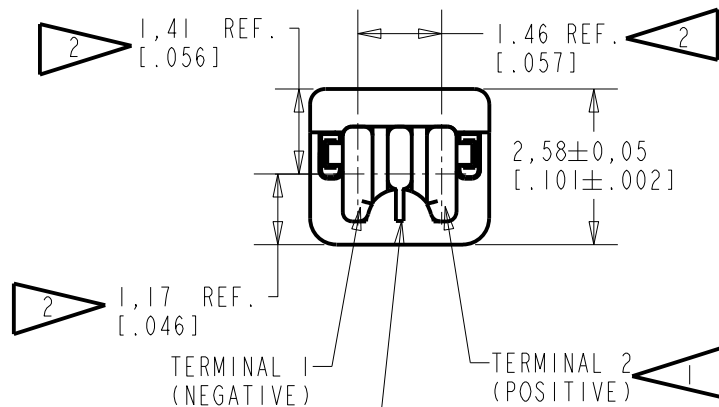
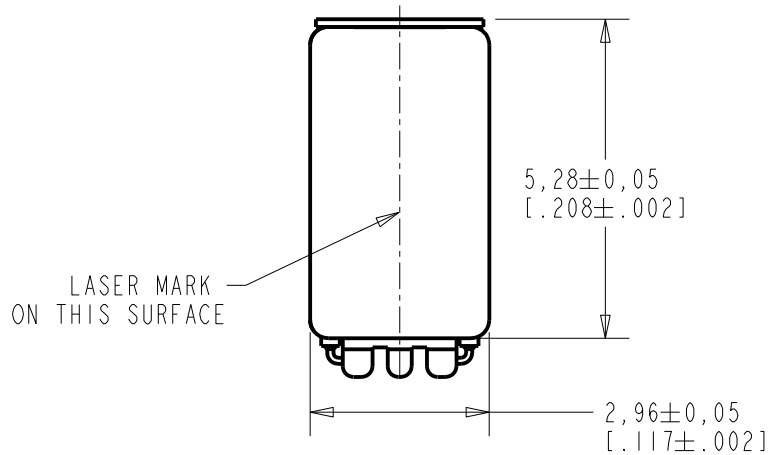


RAB-32037-000

SHT 1.1

NOTE:

- 1 ▲ A POSITIVE GOING VOLTAGE AT TERMINAL 2, RELATIVE TO TERMINAL 1, CAUSES AN INCREASE IN PRESSURE AT THE SOUND OUTLET.
- 2 ▲ DIMENSION TO APPROXIMATE CENTER OF TERMINAL PAD.
- 3 ▲ TERMINAL ELECTRICALLY CONNECTED TO CASE.
- 4 ▲ LOCATED FROM THE RECEIVER TOP SURFACES TO ADAPTER PLATE EDGE. THE PLATE EDGE CAN'T EXTEND OUT THE RECEIVER OUTLINE SURFACES, BUT ACCEPT BELOW MAX.0.10mm [.004].



SCALE 4:1
NOMINAL WEIGHT
.16 GRAMS

DIMENSIONS IN MILLIMETERS [INCHES]

Revision	C.O. #	Implementation Date	RELEASE LEVEL	REVISION
A	CI0115768P	4-14-14	Active	A

SCALE: 5:1		DR. BY: LW	DATE: 4-14-14
DO NOT SCALE DRAWING			
TITLE: RECEIVER		RAB-32037-000	
OUTLINE DRAWING		SHT 1.1	
		CK. BY: GJP	DATE: 4-15-14
		APP. BY: GJP	DATE: 4-15-14

KNOWLES ELECTRONICS
ITASCA, ILLINOIS U.S.A.

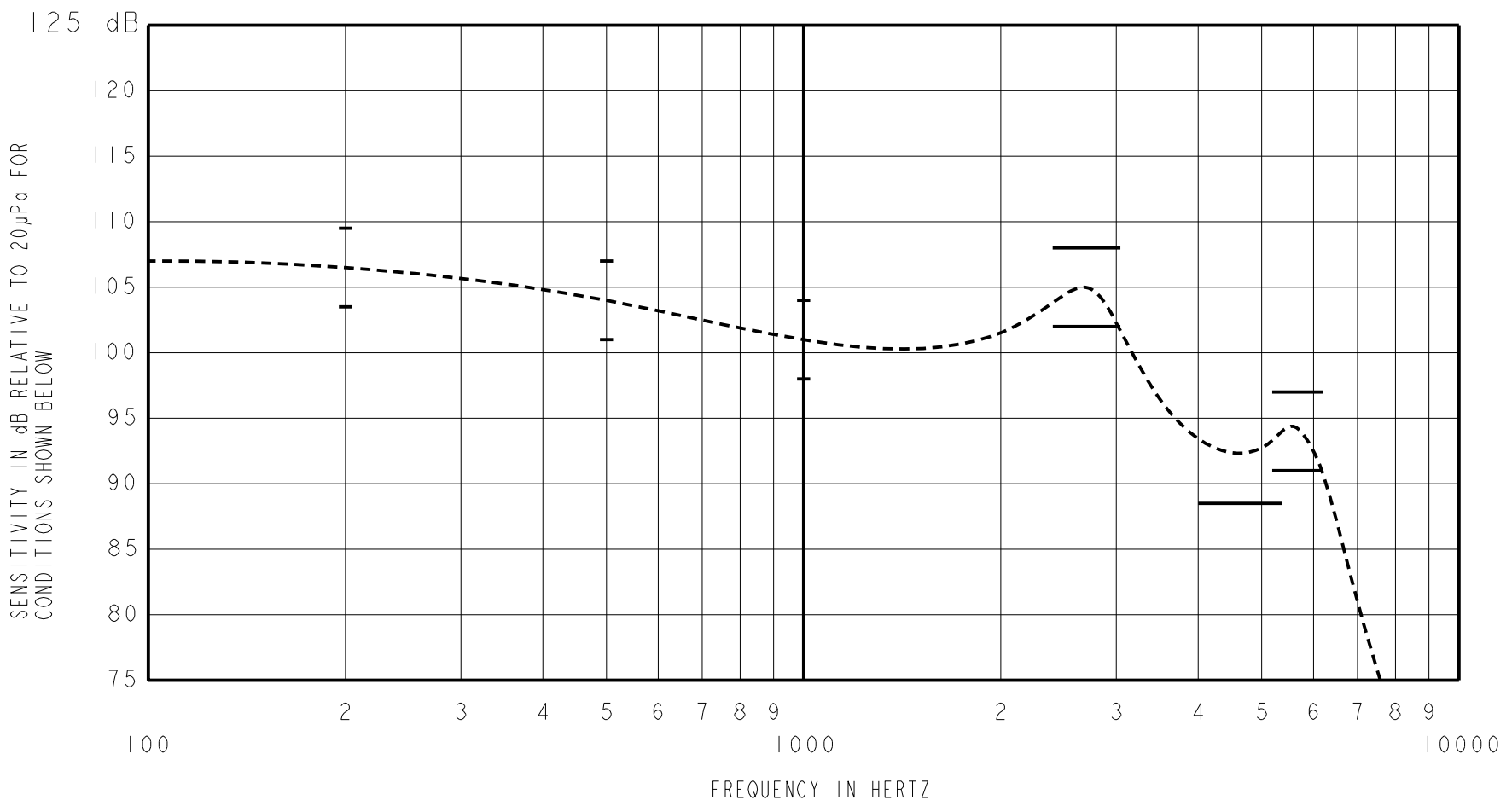
THIS IS AN UNDAMPED MAGNETIC BALANCED ARMATURE RECEIVER
INTENDED FOR USE IN HEARING INSTRUMENTS.

NO DAMPING

RAB-32037-000

SHEET 2.1

CONSTANT VOLTAGE DRIVE RESPONSE



ACOUSTICAL

SENSITIVITY
DEVICE WILL PRODUCE THE SPL LISTED BELOW WITH THE TEST
CONDITIONS DESCRIBED IN TABLE 3. NOMINAL SENSITIVITY
AT 1 kHz IS dB RELATIVE TO 20µPa. ALL OTHER VALUES IN
dB RELATIVE TO THE SENSITIVITY AT 1 kHz.

LIMIT TYPE	FREQUENCY (Hz)	MINIMUM	NOMINAL	MAXIMUM
REL	200	+2.5	+5.5	+8.5
REL	500	0.0	+3.0	+6.0
REF	1000	-3.0	101.0	+3.0
PEAK	2450-3050	+1.0	+4.0	+7.0
VALLEY	4000-5400	-12.5	---	---
PEAK	5200-6200	-10.0	-7.0	-4.0

TABLE 1.

TOTAL HARMONIC DISTORTION
DEVICE WILL NOT EXCEED TOTAL HARMONIC DISTORTION LEVELS
LISTED BELOW.

FREQUENCY (Hz)	DRIVE (V rms)	LIMIT (%)
1/3 PEAKI (TYP. 917)	0.164	5
1/2 PEAKI (TYP. 1375)	0.164	5

TABLE 2.

TEST CONDITIONS

NOMINAL SOURCE VOLTAGE	0.164 Vrms,
SOURCE IMPEDANCE	< 1 Ω
TUBING	10 mm (.394) LONG, 1 mm (.039) ID.
COUPLER CAVITY	2 CC SIMULATED ANSI S3.7 TYPE HA-3, (IEC 60318-5)

TABLE 3.

ELECTRICAL

DC RESISTANCE	49.0 Ω ±10%
IMPEDANCE @ 500 Hz	76.0 Ω ±15%
IMPEDANCE @ 1 kHz	124.0 Ω ±15%
INDUCTANCE @ 500 Hz	37.3 mH TYPICAL

TABLE 4.

ISOLATION: THE CASE WILL BE ELECTRICALLY ISOLATED
FROM THE COIL CIRCUIT

MECHANICAL

PORT LOCATION: 12C

SOLDER TYPE: ROHS COMPLIANT
SAC305

TEMPERATURE

OPERATING: SENSITIVITY WILL NOT VARY MORE THAN
+1/-3 dB FROM 0°C TO 63°C
STORAGE: -40°C TO 63°C

KNOWLES ELECTRONICS
ITASCA, ILLINOIS U.S.A.

Revision	C.O. #	Implementation Date	RELEASE LEVEL	REVISION
			Active	A
A	C10115768P	4-14-14		
WHEN TEST LIMITS ARE USED TO ESTABLISH INCOMING INSPECTION ACCEPTANCE/REJECTION CRITERIA, CORRELATION OF TEST EQUIPMENT WITH KNOWLES IS ALSO REQUIRED FOR ELIMINATION OF EQUIPMENT AND TEST METHOD VARIATION				
TITLE: RECEIVER		RAB-32037-000		DR. BY DATE
PERFORMANCE SPECIFICATION		SHT 2.1		LW 4-14-14
				CK. BY DATE
				GJP 4-15-14
				APP. BY DATE
				GJP 4-15-14